

Leeddar™ d-tec

LiDAR-Based Stop-Bar Detection System for Any Traffic Types and Environmental Conditions



ITS



Overview

The Leeddar d-tec is a LiDAR-based system that offers accurate stop-bar and advanced detection capabilities for all types of traffic (vehicles, bicycles, pedestrians...). This above-ground traffic detection solution, which includes sensor units and controller cards that communicate directly with the light control unit, is the perfect alternative to legacy induction loop detectors that were traditionally used in automated traffic light management applications.

Advanced Traffic Detection Capabilities

At the heart of the Leeddar d-tec system lies the patented Leeddar digital signal processing technology, which provides reliable detection, location and measurement capabilities for all types of traffic. Its solid-state LiDAR sensor measures both distance and angular positioning for each detected target—in any environmental and lighting conditions. The system also uses direction of travel of vehicles, thereby preventing false calls to traffic signal controllers.

The d-tec's flash LiDAR uses LED sources to illuminate the entire sensor's field of view and provides complete coverage of the area of interest. By capturing the return echoes through 16 independent active detection elements at a high data acquisition rate, the Leeddar d-tec continuously provides rapid and accurate detection and ranging in the entire beam. The returned signals are digitized and processed through innovative algorithms, allowing the reliable 24/7 detection and measurement of a wide range of objects under the most challenging environmental conditions such as rain, snow and fog.

Low Installation Cost, Significant Time Savings

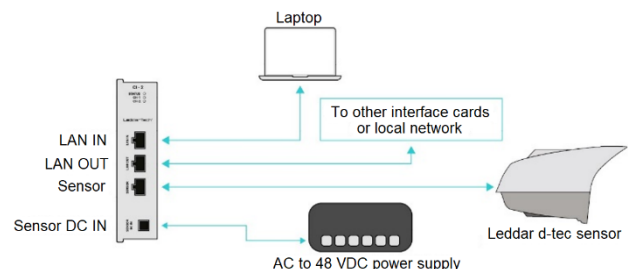
It only takes a few hours to install a complete intersection (2-4 hours for a typical setup) and as little as 15 minutes to configure the system. The onboard camera allows the Leeddar d-tec to be easily configured remotely, providing rapid alignment with desired detection areas and simplifying maintenance operations.

Thanks to its robust solid-state design with no moving mechanical parts, the Leeddar d-tec system provides high reliability and reduced maintenance costs compared with under-pavement induction loops. Housed in a resistant IP67-rated casing ensuring ingress protection, its LiDAR sensors are built for year-round operation over a very wide range of temperatures. The system uses industry-standard Power over Ethernet (PoE) technology with the same cabling to provide both power and data communication to the sensor, thereby reducing installation costs.

Leeddar d-tec Features

- Robust solid-state flash LiDAR design
- Multilane stop-bar detection with 16 segments per d-tec unit
- Integrated video sensor with Pan & Tilt actuator
- Single Cat 5e Ethernet cable - Power over Ethernet (PoE)

Typical Leeddar d-tec Setup



Configurations and Specifications

Configuration	Long Range (P/N 75A0018)	Narrow Angle (P/N 75A0002)	Medium Angle (P/N 75A0014)	Wide Angle (P/N 75A0003)
Field of view (H/V)	9° / 1.6°	19° / 3.0°	26° / 4.2°	36° / 5.9°
Dimensions (mm, H x W x D)	226 x 259 x 386			
Weight (kg)	3			
Recommended maximum stop-bar distance (m)	75	55	40	30

System Performance

- Data refresh rate (Hz): 196
- Operating temperature range (°C): 40 to 60
- Power consumption (W): 15 (without heater)
25.5 (with heater)
- Interface options: Ethernet Cat 5e RJ45 plug

Sensor Characteristics

- Number of segments: 16
- Wavelength (nm): 940
- Power supply: IEEE 802.3at, 48 to 56 VDC, min. 30 W
- Mounting: Compatible with standard traffic hardware
- Recommended mounting height (m): 5.2 to 6.4
- Ingress protection rating: IP67
- Eye safety: IEC 62471:2006 (exempt lamp classification)
- Regulatory compliance: FCC Part 15, Subpart B, Class A
ICES-003, Class A
CE

Package Contents

- Sensor unit
- RJ45 connector kit:
 - Shielded Cat 5e RJ45 plug
 - Bayonet-locking coupling/protective connector

Controller Interface Cards¹

- P/N 75A0005: 2-channel
- P/N 75A0006: 4-channel half-width
- P/N 75A0004: 4-channel full-width
- Interface card power supply:
 - Input: 88-264 VAC, 47-63 Hz
 - Output: 42-56 VDC
 - 0.8 A, 1 sensor (P/N 75A0007)
 - 3.3 A, 4 sensors (P/N 75A0010)

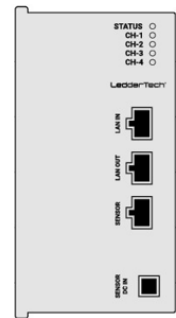
¹ Available as options.



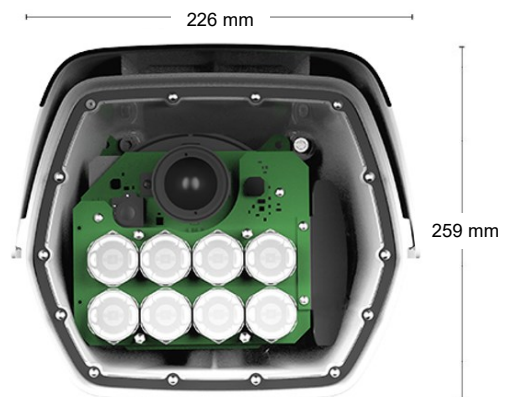
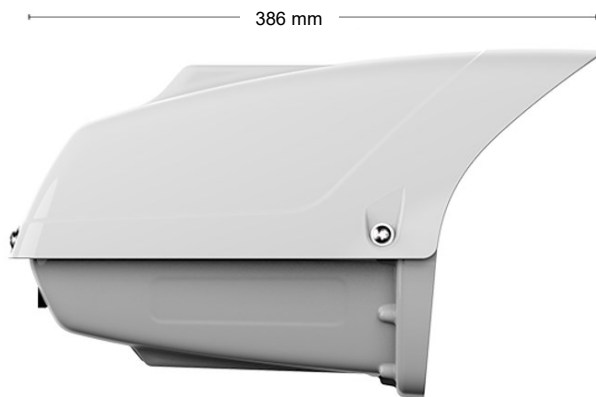
2-channel



4-channel
half-width



4-channel
full-width



LeddarTech® has made every effort to ensure that the information contained in this document is accurate. Any information herein is provided "AS IS." LeddarTech shall not be liable for any errors or omissions herein or for any damages arising out of or related to the information provided in this document. LeddarTech reserves the right to modify design, characteristics and products at any time, without notice, at its sole discretion.

LeddarTech does not control the installation and use of its products and shall have no liability if a product is used for an application for which it is not suited. You are solely responsible for (1) selecting the appropriate products for your application, (2) validating, designing and testing your application and (3) ensuring that your application meets applicable safety and security standards.

Furthermore, LeddarTech products are provided only subject to LeddarTech's Sales Terms and Conditions or other applicable terms agreed to in writing. By purchasing a LeddarTech product, you also accept to carefully read and to be bound by the information contained in the User Guide accompanying the product purchased.

LeddarTech®

CANADA – USA – AUSTRIA – FRANCE – GERMANY – ITALY – ISRAEL – HONG KONG – CHINA

Head Office

4535, boulevard Wilfrid-Hamel, Suite 240
Québec (Québec) G1P 2J7, Canada
leddartech.com

Phone: + 1-418-653-9000

Toll-free: 1-855-865-9900